



ULTRATECNO
POWER ULTRASONIC CLEANING

ACM-450E

High Power
Ultrasonic
Cleaner for
Heavy Duty
applications



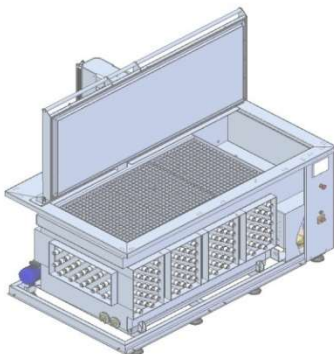
Pneumatic
Platform lift

Insulated lid

ARF[®] noise
reduction

Triple thermal
insulation

Full Stainless Steel
construction



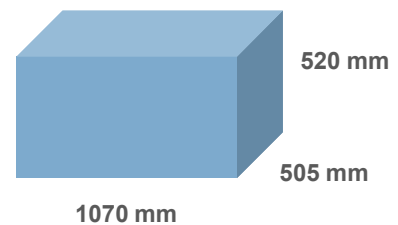
Protected
Ceramic Heaters

LFS[®] Oil
Separation

28 kHz Powerful
Ultrasound

Replaceable
transducers

Maximum Useful dimensions



At least 100-150 mm of free space surrounding the parts is required to allow proper ultrasonic diffusion. Don't overload the tank, to get good cleaning performance.

The most powerful Ultrasonic equipment at market

UltraTecnno
Valencia, SPAIN
+34 961 666 565 - info@ultratecnno.es
www.ultratecnno.eu



Main tank internal dimensions	1120 x 650 x 780 mm (524 litres)
Full stainless steel construction	AISI 304/316L - 2 mm thickness - Height adjustable legs
External Dimensions with Top Lid Open / Weight	1810 x 1100 x 1810 mm / 550 kg

Ultrasonic System Frequency	28 kHz
Ultrasonic Actual Power	4000 W (4 sets) Synchronized Generators
Sweep Frequency	Digital \pm 2% for smooth & safe cleaning
Ultrasonic Emitters Sets	316L welded at walls (replaceable)
Noise Reduction System	Patented ARF [©] <78db (A)

Elevator for agitation with platform lift	Pneumatic, max load 350 kg
---	----------------------------

Oil Separation System	Patented LFS [©] with Pump, Auxiliary tank
LFS [®] Recirculation pump	Stainless Steel EBARA MATRIX 3-2T

Heating System	11 kW Ceramic Heaters into protective stainless-steel housing
Acoustic & Thermal Insulation thickness	Fire & Sound proof Stone rock 50 mm
Insulated Top Lid	30 mm thermal & acoustic insulation
Safety water Level Sensor	Electronic IFM LMT-102 (SS316-PEEK)

Inset Multilanguage 7" Color HMI Touch screen	Manual & Automatic Preset Cycles Full process parameters customization Heating & US Programmable Timer / Preventive Maintenance Schedule Electrical Consumption Monitor / Detergent calculator / Hourly & starts counter
---	---

Optional Devices Available	Filtering / Automatic Water Refill / Hybrid Heating / Small parts basket / Steam Extraction / Automatic Top Lid Opening / Hands Free Operation Pedal
----------------------------	--



28kHz
Synchronized



Durable
Construction



Green
Label



Low noise
Emission



Smart
Interface



Best cost effective
Cleaner