



**ULTRATECNO**  
POWER ULTRASONIC CLEANING

# ACM-1000E

High Power Ultrasonic Cleaner for Heavy Duty applications



Pneumatic Platform lift

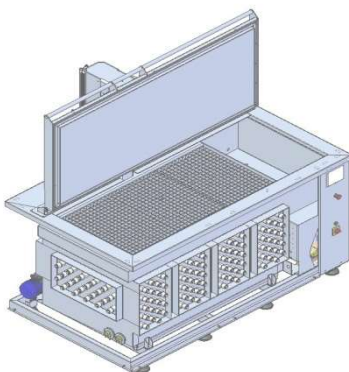
Insulated Automatic lid

ARF<sup>®</sup> noise reduction

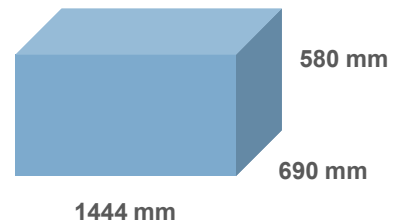
LFS<sup>®</sup> Oil Separation

Maximum Useful dimensions

Triple thermal insulation



28 kHz Powerful Ultrasound



Full Stainless Steel construction

Protected Ceramic Heaters

Replaceable transducers

*At least 100-150 mm of free space surrounding the parts is required to allow proper ultrasonic diffusion. Don't overload the tank, to get good cleaning performance.*

The most powerful Ultrasonic equipment at market

UltraTecnno  
Valencia, SPAIN  
+34 961 666 565 - info@ultratecnno.es  
www.ultratecnno.eu

**Main tank internal dimensions** 1500 x 900 x 840 mm (1147 litres)  
**Full stainless steel construction** AISI 304/316L - 2 mm thickness - Height adjustable legs  
**External Dimensions with Top Lid Open / Weight** 2190 x 1440 x 2114 mm / 910 kg

**Ultrasonic System Frequency** 28 kHz  
**Ultrasonic Actual Power** 7000 W (7 sets) Synchronized Generators  
**Sweep Frequency** Digital  $\pm$  2% for smooth & safe cleaning  
**Ultrasonic Emitters Sets** 316L welded at walls (replaceable)  
**Noise Reduction System** Patented ARF<sup>©</sup> <78db (A)

**Elevator for agitation with platform lift** Pneumatic, max load 800 kg

**Oil Separation System** Patented LFS<sup>©</sup> with Pump, Auxiliary tank  
**LFS<sup>®</sup> Recirculation pump** Stainless Steel EBARA CDX

**Heating System** 15 kW Ceramic Heaters into protective stainless-steel housing  
**Acoustic & Thermal Insulation thickness** Fire & Sound proof Stone rock 50 mm  
**Insulated Automatic Top Lid** 30 mm thermal & acoustic insulation  
**Safety water Level Sensor** Electronic IFM LMT-102 (SS316-PEEK)

**Inset Multilanguage 7" Color HMI Touch screen** Manual & Automatic Preset Cycles  
 Full process parameters customization  
 Heating & US Programmable Timer / Preventive Maintenance Schedule  
 Electrical Consumption Monitor / Detergent calculator / Hourly & starts counter

**Optional Devices Available** Filtering / Automatic Water Refill /  
 Hybrid Heating / Small parts basket /  
 Steam Extraction / Automatic Top Lid Opening / Hands Free Operation Pedal



**28kHz**  
Synchronized



**Durable**  
Construction



**Green**  
Label



**Low noise**  
Emission



**Smart**  
Interface



**Best cost effective**  
Cleaner