

N-SERIES ULTRATECNO

PREMIUM ULTRASONIC CLEANING MACHINES

HIGH-POWER
ULTRASONIC
CLEANING MACHINE



**28 KHZ POWERFUL ULTRASOUND,
DIGITAL & SYNCHRONIZED TECHNOLOGY**

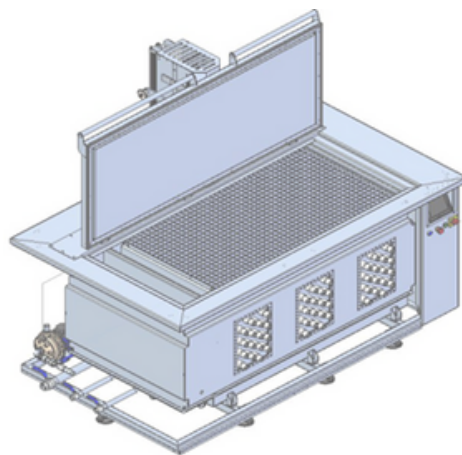
**FULL STAINLESS STEEL
CONSTRUCTION**

**ARF® ACUSTIC REDUCTION
FILTER**

**HYDRAULIC OR PNEUMATIC
PLATFORM LIFT**

**OIL SEPARATION SYSTEM
LFS®**

**FLANGED ULTRASONIC
EMITTERS SETS ON LATERAL WALLS**



**CERAMIC HEATERS INTO PROTECTIVE
STAINLESS-STEEL HOUSING**

**THERMAL AND ACUSTIC
50 MM INSULATION**

**MULTILANGUAGE 7"
COLOR HMI TOUCH-SCREEN**

**FLOATING SKIMMER
FOE®**

3 MM TANK THICKNESS

INSULATED TOP LID

IFM LEVEL WATER SENSOR

THE MOST POWERFUL ULTRASONIC EQUIPMENT ON THE MARKET

SERIE-N FEATURES

MODEL*	MAIN TANK	ULTRASOUND POWER	HEATING POWER	INSULATED LID	INTERNAL DIMENSIONS MAIN TANK (MM)	PLATFORM LIFT (MM)	USEFUL HEIGHT (MM)	MAX. LIFT LOAD
ACM-350N	405 L	3 KW	11 KW	MANUAL	1000 X 650 X 623	952 X 495	381	250 KG
ACM-500N	587 L	4 KW	11 KW	MANUAL	1200 X 670 X 730	1152 X 520	450	350 KG
ACM-750N	840 L	5 KW	11 KW	MANUAL	1400 X 800 X 750	1335 X 630	480	500 KG
ACM-1000N	1224 L	7 KW	15 KW	AUTO	1600 X 900 X 850	1552 X 726	556	800 KG
ACM-2000N	2178 L	9 KW	22 KW	AUTO	1800 X 1100 X 1100	1666 X 913	754	1000 KG
ACM-3000NW	3279 L	10 KW	30 KW	AUTO	1700 X 1590 X 1213	1565 X 1339	850	1000 KG
ACM-3000N	3276 L	12 KW	30 KW	AUTO	2100 X 1300 X 1200	1966 X 1110	850	1000 KG
ACM-4500N	5190 L	15 KW	36 KW	AUTO	2400 X 1590 X 1360	2217 X 1251	900	1800 KG
ACM-5500N	6010 L	18 KW	45 KW	AUTO	2700 X 1590 X 1400	2600 X 1400	1000	1800 KG
ICM-8000N	9184 L	27 KW	60 KW	AUTO	3200 X 2050 X 1400	N/A	1000	N/A
ICM-12000N	13258 L	36 KW	75 KW	AUTO	4600 X 1950 X 1460	N/A	1320	N/A

*IT IS POSSIBLE MANUFACTURING ACM-N MODELS WITHOUT ELEVATOR (ICM). YOU CAN REQUEST THE DETAILED TECHNICAL SHEETS FOR EACH MODEL

SMART USER-FRIENDLY INTERFACE

- HEATING AND ULTRASOUND PROGRAMMABLE TIMER
- FULL PROCESS PARAMETERS CUSTOMIZATION
- MANUAL AND AUTOMATIC PRESET CYCLES
- ELECTRICAL CONSUMPTION MONITOR
- PREVENTIVE MAINTENANCE SCHEDULE
- BATH DETERGENT CALCULATOR



OPTIONAL DEVICES



- AUTOMATIC EVAPORATED WATER REFILLING SYSTEM
- PERIMETER STEAM EXTRACTION SYSTEM
- CLOSED BASKET FOR SMALL PARTS AND CUSTOM-MADE BASKETS
- VARIOUS FILTERING OPTIONS AVAILABLE
- DOSING SYSTEM FOR LIQUID DETERGENT
- AUTOMATIC TOP LID
- DELTA ETHERNET MODULE
- HYBRID HEATING SYSTEM
- OTHER TAILOR-MADE SOLUTIONS

BENEFITS

- ROBUST PREMIUM MACHINE
- MAXIMUM POWER AND RELIABILITY
- THE HIGHEST PROFITABILITY
- HUGE SAVINGS
- ERGONOMIC DESIGN
- THE BEST CLEANING PERFORMANCE